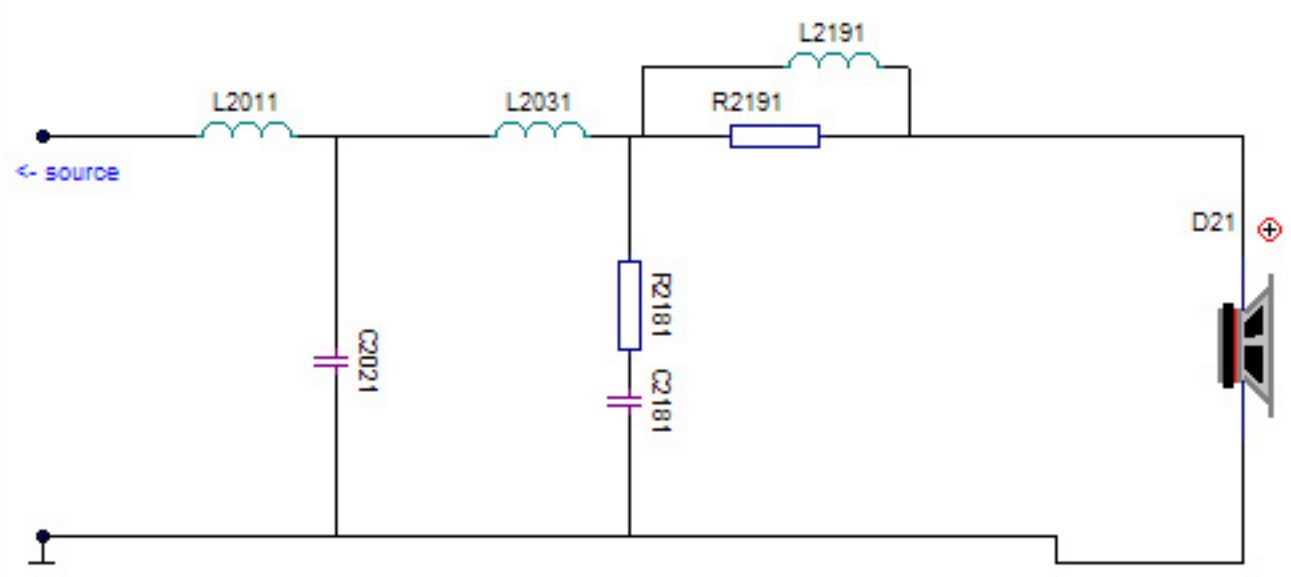


# Net 2

- L2011 0.680 mH
- C2021 15.00 uF
- L2031 0.330 mH
- R2181 8.00 ohm
- C2181 30.00 uF
- R2191 8.00 ohm
- L2191 1.000 mH



Driver unit 1 (D21)  
SPL data file : import\6w4254.txt  
Impedance data file : import\6w4254i.txt  
Position (x,y,z) 0.0,-135.0,0.0 mm  
Relative distance 0.0 mm