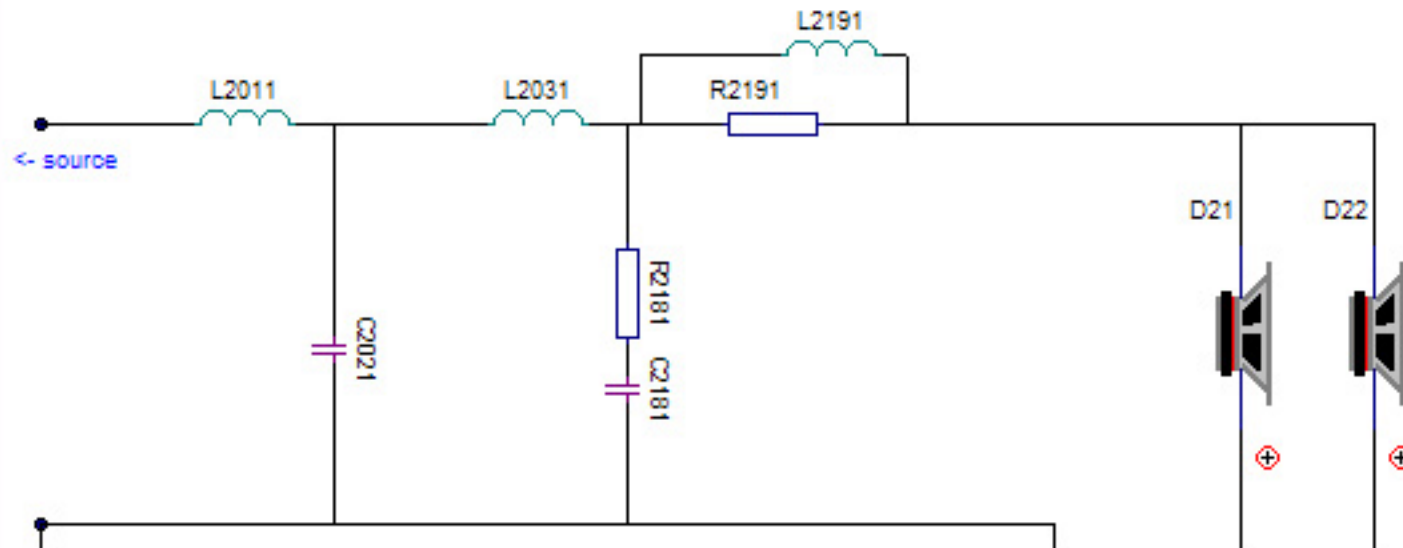


Common Net 1 Net 2 Overview

Net 2

L2011 0.680 mH
 C2021 12.00 uF
 L2031 0.100 mH
 R2181 6.00 ohm
 C2181 30.00 uF
 R2191 3.50 ohm
 L2191 0.550 mH



Driver unit 1 (D21)

SPL data file : 6W4311B on 15x9box 1 meter.txt
 Impedance data file : 6W4311B in 1344in box imp.txt
 Position (x,y,z) 0.0,0.0,20.0 mm
 Relative distance 20.0 mm

Driver unit 2 (D22)

SPL data file : Same as driver 1
 Impedance data file : Same as driver 1
 Position (x,y,z) 0.0,0.0,0.0 mm
 Relative distance 0.0 mm