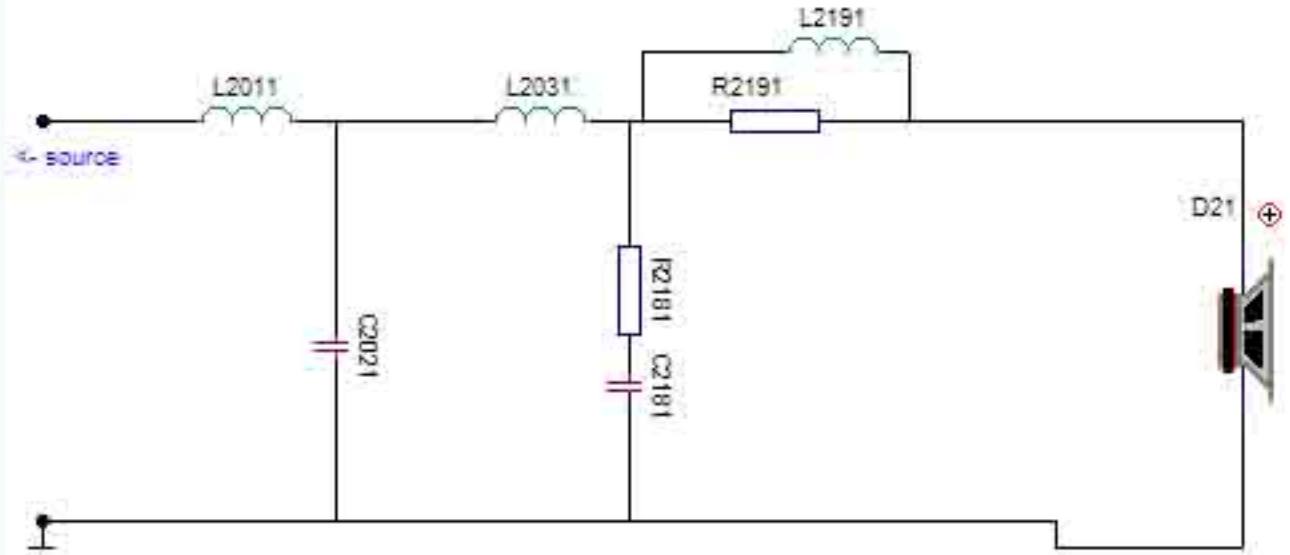


Net 2

- L2011 1.100 mH
- C2021 8.200 uF
- L2031 0.200 mH
- R2181 12.5 ohm
- C2181 30.00 uF
- R2191 12.5 ohm
- L2191 2.000 mH



Driver unit 1 (D21)
 SPL data file : 7W4411 2.83 Volt 1 meter.txt
 Impedance data file : import\7W4411 impedance.txt
 Position (x,y,z) : 0.0,0.0,0.0 mm
 Relative distance : 0.0 mm