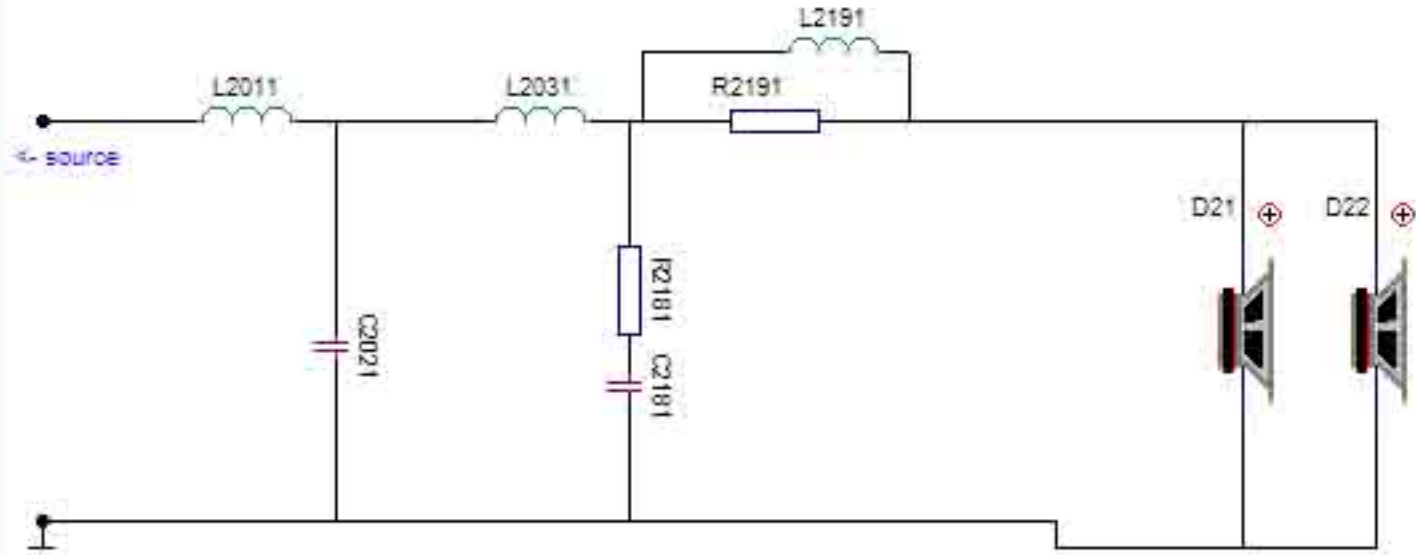


## Net 2

- L2011 0.680 mH
- C2021 12.00 uF
- L2031 0.100 mH
- R2181 7.00 ohm
- C2181 41.00 uF
- R2191 5.00 ohm
- L2191 0.900 mH



Driver unit 1 (D21)  
 SPL data file : 7W4411 2.83 Volt 1 meter.txt  
 Impedance data file : import\7W4411 impedance.txt  
 Position (x,y,z) : 0.0,0.0,20.0 mm  
 Relative distance : 20.0 mm

Driver unit 2 (D22)  
 SPL data file : Same as driver 1  
 Impedance data file : Same as driver 1  
 Position (x,y,z) : 0.0,0.0,0.0 mm  
 Relative distance : 0.0 mm