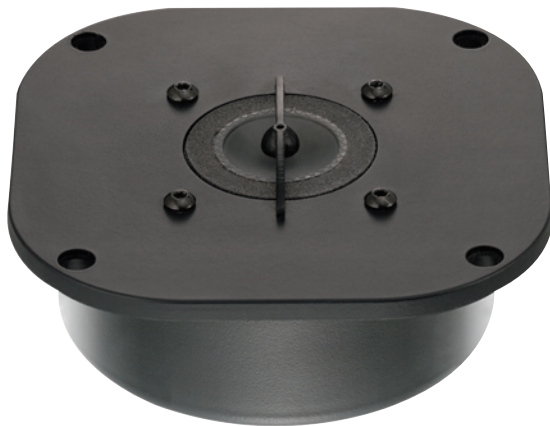


# TC 120 TD5

Tioxid inverted dome tweeter



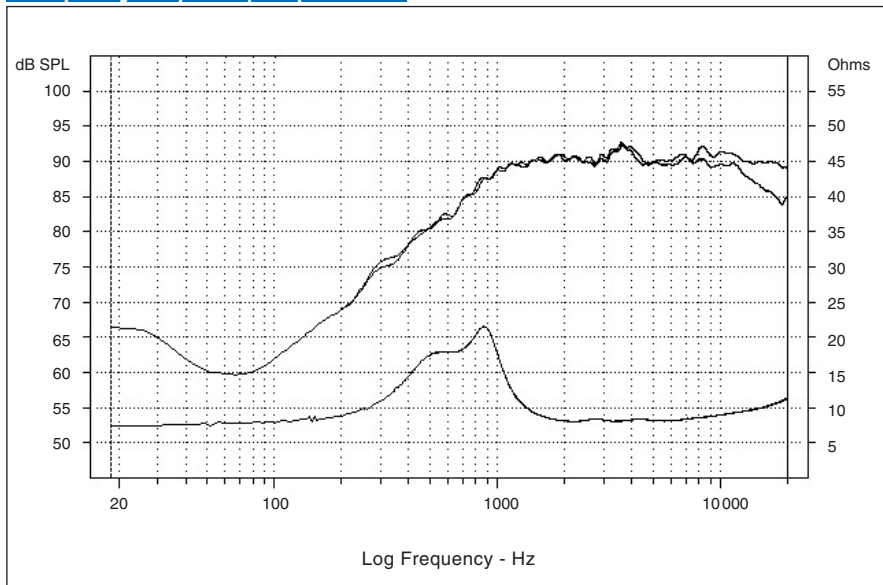
- 5mm thick zamal alloy metal front plate
- Tioxid inverted dome, coated foam surround
- 20mm diameter voice coil, aluminium former, ferrofluid cooled
- Efficiency: 93.5dB
- Double magnet, tuned chamber, acoustical impedance control device (a.k.a: phase plug)



## Specifications

Nominal power	15 W	
Maximum power	150 W	
Sensitivity		
Cone	Tioxid	
Surround		
Nom. impedance	6 ohms	
DC resistance	6 ohms	
VC diameter	20 mm	3.1 in
VC height	2 mm	0.08 in
Former	aluminium	
Layers	1	
Wire	copper	
Inductance	1.49 mH	
Xmax	-0.5 mm	-0.02 in
Magnet d x h	85 x 15 mm	3.35 x 2.83 in
Magnet weight	361 g	0.8 lb
Flux density	1.75 T	
Gap height	3 mm	0.12 in
Net weight	1.2 kg	2.64 lb

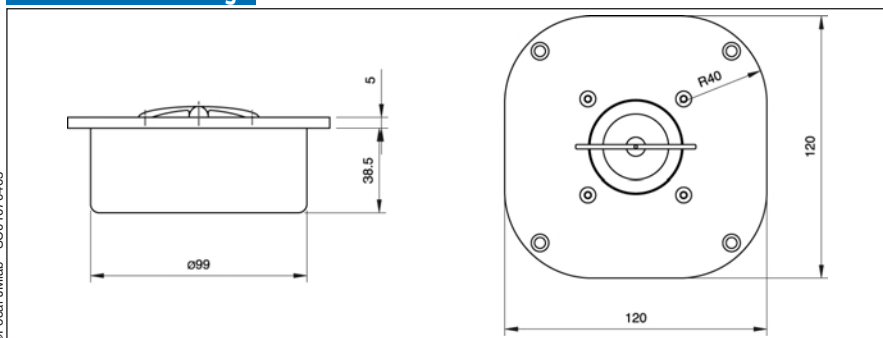
## Frequency Response / Impedance



## Parameters

Fs	812.7 Hz
Vas	
Qts	0.81
Qes	1.15
Qms	2.79
Re	6 ohms
Sd	0.1 Cm <sup>2</sup>
Cas	
Mas	
Ras	
Cms	
Mms	
Rms	
Ces	
Les	
Res	
BI	
SPL	

## Mechanical Drawing



## Suggested application

Load	V (l)	Fb (Hz)	F-3 (Hz)	QI

Focal® is a trademark of Focal-JMLab®