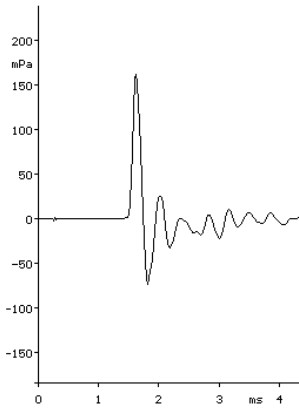
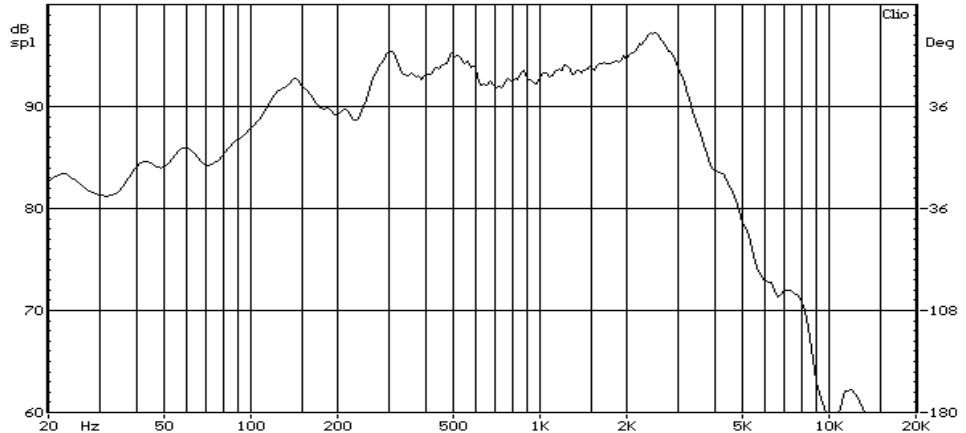


AXON 8K-01

SUBWOOFER



Impulse response



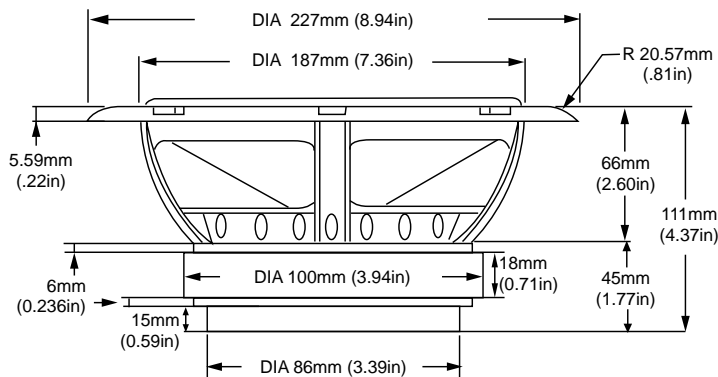
Frequency response

Parameter	Value	Units
Fs	34.35	Hz
Rcc	6.81	Ω
Qes	0.35	
Qms	2.76	
Qts	0.31	
Mms	18.50	g
Sd	213.82	sq. cm
Vas	74.54	L
Lvc	0.56	mH
SPL ref	91.2	dB/2.83V/m
Xmax	4.0	mm
Nominal Power	100	W

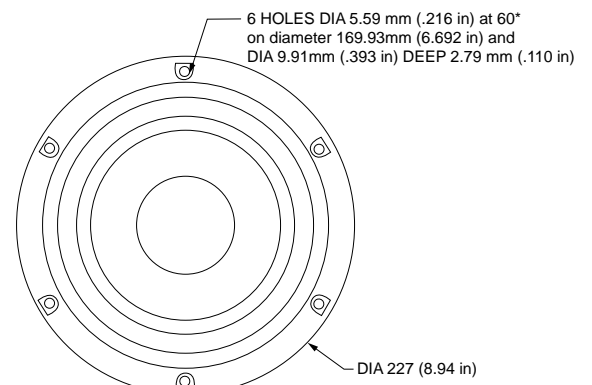


© Kevlar is registered trademark of Dupont

The AXON 8K-01 is a remarkable 8" midbass (8") of high performance. It's easy to work with and features a smartly designed polycast frame with effective venting of the wide diameter linear spider, a curved profile Kevlar cone, a high power voice coil and a bucking magnet. It's very versatile, providing good bass as well as dynamic and natural midrange. This unit can be used as a woofer in 3-way designs, or as a midbass in 2-way designs and MTM's for very high efficiency systems. It needs anywhere from .8 to 1.4 CFT, sealed or vented.



metric mm (SAE in)



metric mm (SAE in) 9.91 mm (.393 in) X 2.79 mm (.110 in) DEEP